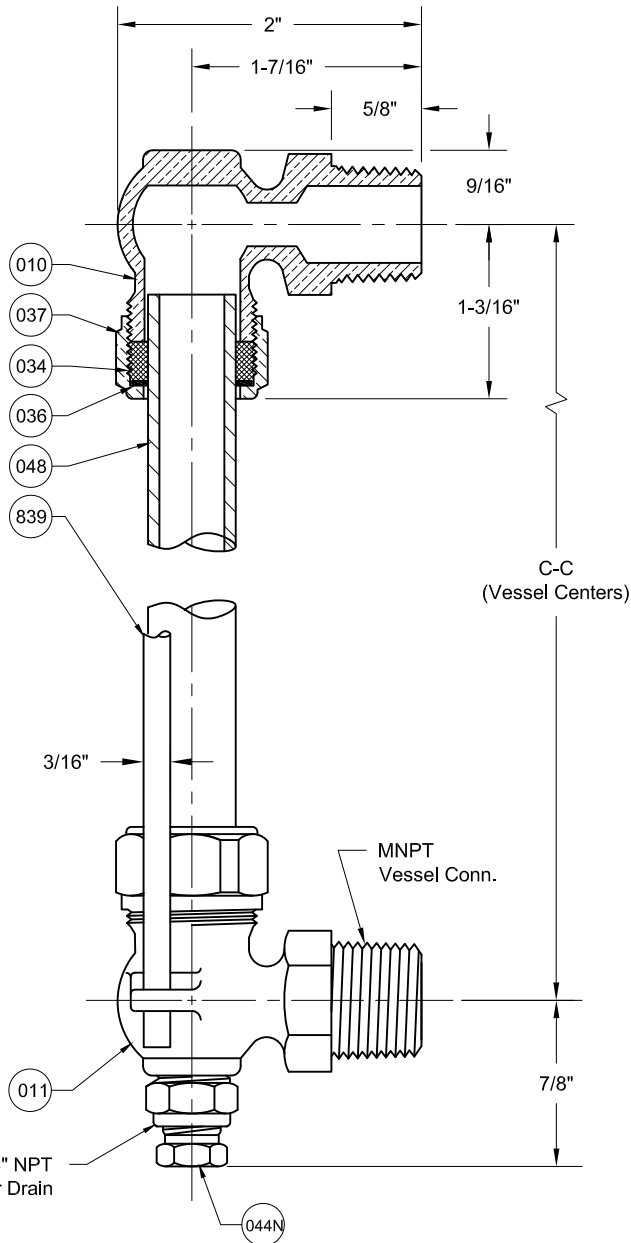


REVISIONS			
Rev.	Modification	Date	Done By
0	Original	2/24/2016	WAS
A	Gland is Unwetted, Drain Terminology	8/31/2016	WAS
B	Guard Rod Ø Added	3/21/2017	WAS
C	Bleeder Drain Added	1/26/2018	WAS
D	Added Part Number for Drain Needle	12/10/2018	NPH



BILL OF MATERIALS
*Denotes an Optional, Non-Standard Material

No.	Name of Part	Qty.	Material	Max. Temp. (°F)	Material Grade / Notes	
010	Upper Elbow	1	Bronze		ASTM B584	
011	Lower Elbow	1	Bronze		ASTM B584	
034	Gasket	2	EPDM	280		
			*Neoprene	250		
			*Viton®	350		
044	Bleeder Drain	1	Brass		ASTM B16	
044N	Drain Needle	1	Brass		ASTM B-16	
048	Sight Glass/Tube	1	Cust. Specified		Upon Request	
Non-Wetted	036	Glass Packing Gland	2	Brass Plated Steel		ASTM B16
	037	Glass Packing Nut	2	Brass		ASTM B16
	839	Guard Rods	2	304SS		Upon Request

PRODUCT SPECIFICATIONS

Assembly Limited to Glass and Gasket Ratings

Size MNPT	Liquid Service (PSIG)	Steam Service (PSIG)	Auto Ball Checks	Glass OD	Glass Length From Centers	Rod Length From Centers
3/8"	300 / 100°F to 125 / 350°F	NR	None	5/8"	-1-1/4"	+3/4"
1/2"						

T11 Series Configuration Choices:

Reference the Series T11 Model Number Matrix on our Website or Inquire with our Sales Team

Viton® is a Registered Trademark of the Chemours Company

JOHN C ERNST LLC.		www.johnernst.com	
		21 Gail Ct. Sparta, N.J. USA	
Series T11 Style 401 Liquid Level Gauge Elbows			
Sheet 1 of 1	Drawn By: WAS	Tolerances, unless otherwise noted Dec.: ±0.015" Frac.: ±1/64" Ang.: ±1/2°	Size: A
Scale: NTS	Approved By: JCW		
Units: Inches	Date: 10-DEC-18	Dwg. No.: SC2.00T11.00.0.0	Rev. D