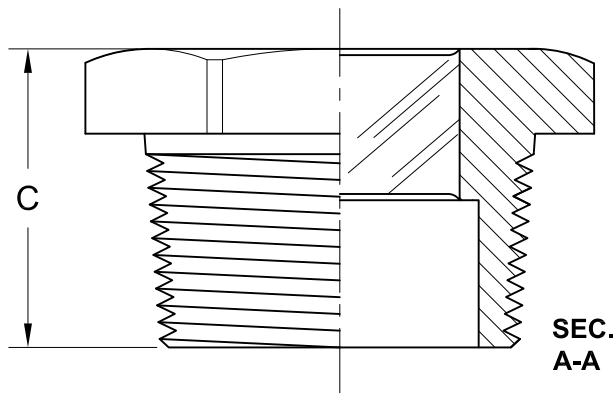
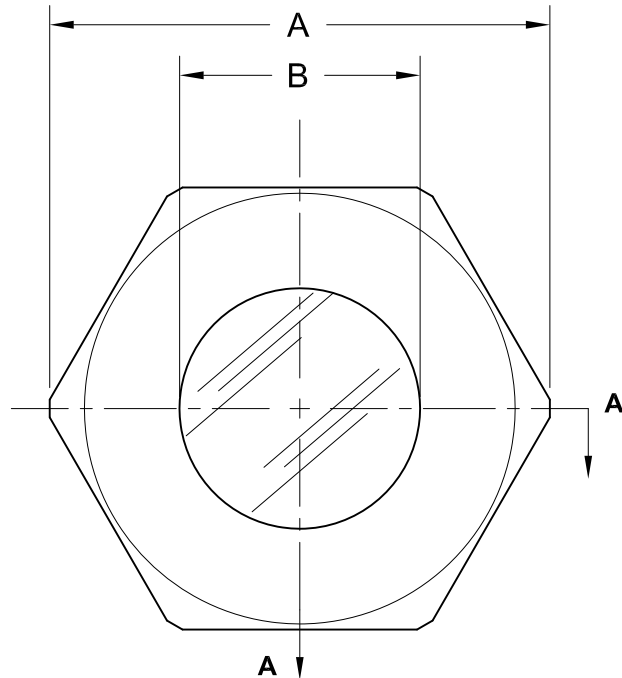


REVISIONS			
Rev.	Modification	Date	Done By
0	Original	3/3/2016	WAS
A	2205 Added to Material	9/21/2017	WAS



PRODUCT SPECIFICATIONS									
MNPT Size	A		B		C		Press. Ratings @ -22°F - 536°F	Weight oz.	
	In.	mm.	In.	mm.	In.	mm.			
1/4	0.83	21	0.31	8	0.59	15	1450 PSIG	0.8	
3/8	0.94	24	0.39	10	0.59	15	1450 PSIG	0.8	
1/2	1.06	27	0.55	14	0.98	25	1450 PSIG	1.6	
3/4	1.42	36	0.71	18	1.02	26	1450 PSIG	3.2	
1	1.61	41	0.87	22	1.10	28	1450 PSIG	5.0	
1-1/4	1.97	50	0.98	25	1.18	30	1450 PSIG	8.0	
1-1/2	2.17	55	1.18	30	1.26	32	1450 PSIG	12.8	
2	2.76	70	1.46	37	1.38	35	1450 PSIG	21.6	
3	3.94	100	2.17	55	1.50	38	362 PSIG	31.0	

Note Summary:

1. Suitable For Full Vacuum
2. Temperature Range: -22°F to 536°F
3. No Maintenance or Spare Parts Required

W16 Series Configuration Choices:

Reference the Series W16 Model Number Matrix on our Website or Inquire with our Sales Team

JOHN C ERNST LLC.			www.JOHNERNST.com 21 Gail Ct. Sparta, N.J. USA	
Series W16 Fused Sight Plug - Threaded - High Pressure				
Sheet: 1 of 1	Drawn By: WAS	Tolerances, unless otherwise noted Dec.: ± Frac.: ± Ang.: ±		Size: A
Scale: NTS	Approved By: JCW	Dwg. No.: SC2.00W16.04.0.0		Rev.: A
Dim.: Var.	Date: 21-SEP-17			