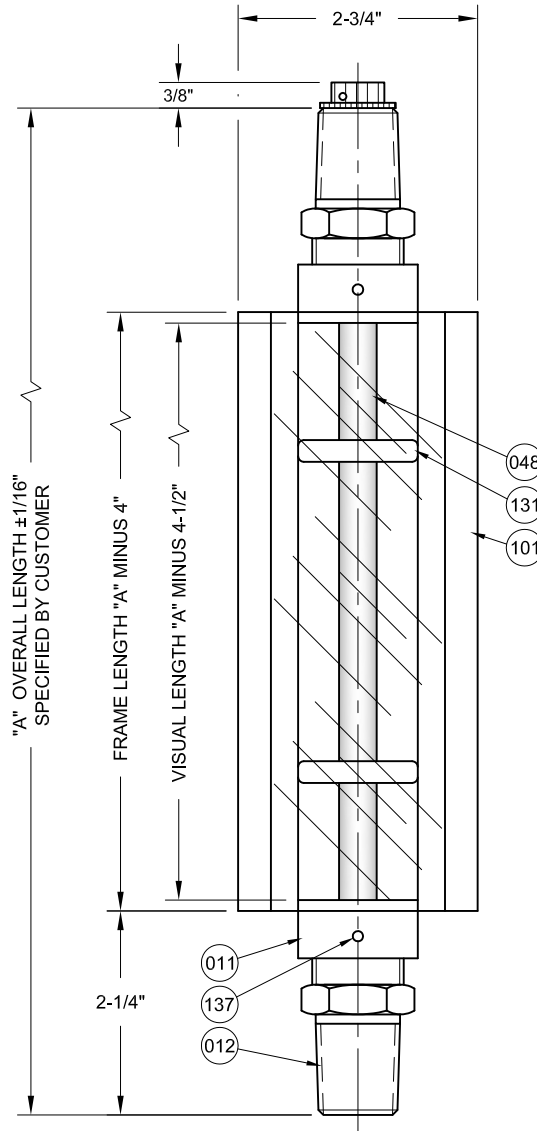
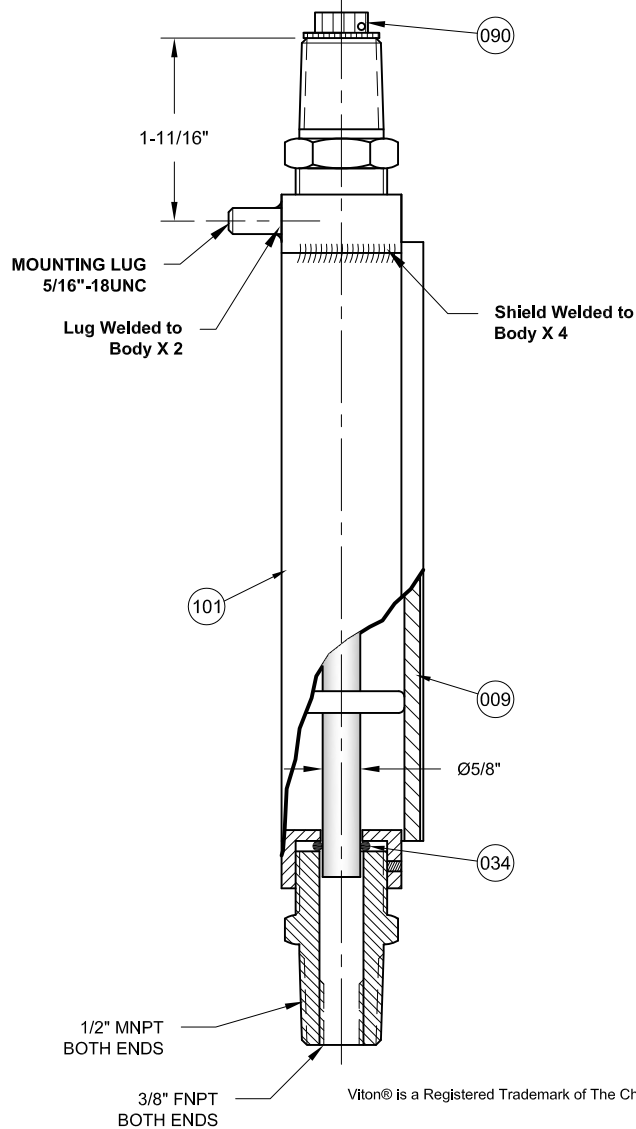
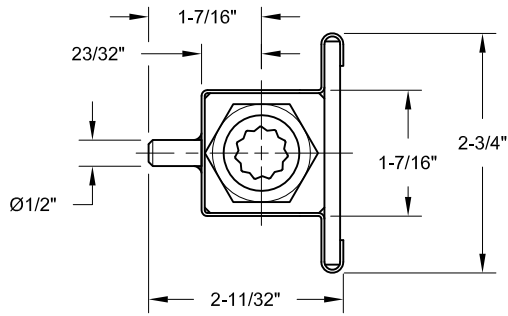


This Drawing and the Subject Matter Disclosed Therein Is the Property of John C Ernst LLC. It Is Not to be Copied, Used, Appropriated or Disclosed to Others Without the Expressed Permission of John C Ernst LLC.

REVISIONS			
Rev.	Modification	Date	Done By
A	Updated Notes	12/16/2020	NPH



BILL OF MATERIALS			
No.	Name of Part	Qty.	Material
011	Body/Connection Ports	2	Zinc Pl. Steel OR 316SS
012	Tailpipe	2	Zinc Pl. Steel OR 316SS
034	Sight Tube O-Ring	2	Viton® / PTFE / Buna-N / EPDM
048	Sight Glass	2	Borosilicate / FEP / PVC / Polycarbonate
009	Shield	1	Polycarbonate (Inquire for Scale Printing)
090	Vented Cap	1	Polyethylene
101	3 Sided Frame		Zinc Pl. Steel OR 304SS
131	Bumper Ring	Var.	Buna-N
137	Set Screw	2	18-8SS

**KEY NOTES:**

1. Rated for **FULL** Vacuum Service
2. Addition of Splicers Reduces Visibility ~1" Per Splicer
3. Please Inquire for Steam Applications

**J14C Series Configuration Choices:**

Reference the Series J14C Model Number Matrix on our Website or Inquire with our Sales Team

<b>JOHN C ERNST LLC.</b>		www.johnernst.com 21 Gall Ct. Sparta, N.J. USA	
Sheet: 1 of 1	Drawn By: WAS	Tolerances, unless otherwise noted Dec.: ±    Frac.: ±    Ang.: ±	
Scale: NTS	Approved By: JCW	Size: A	
Dim.: Inches	Date: 04-MAR-17	Dwg. No.: SC2.0J14C.00.0.0	Rev.: A