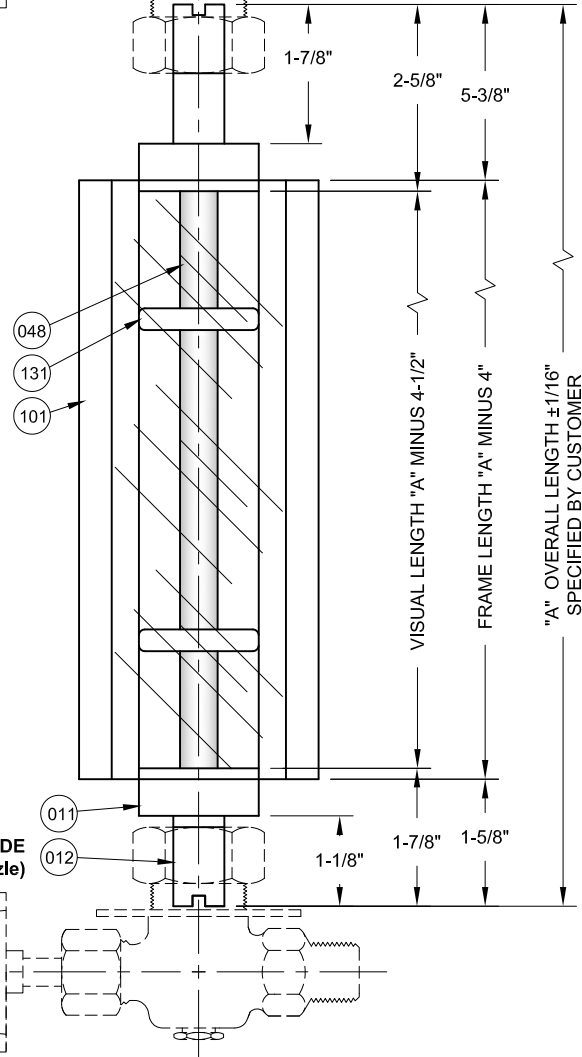
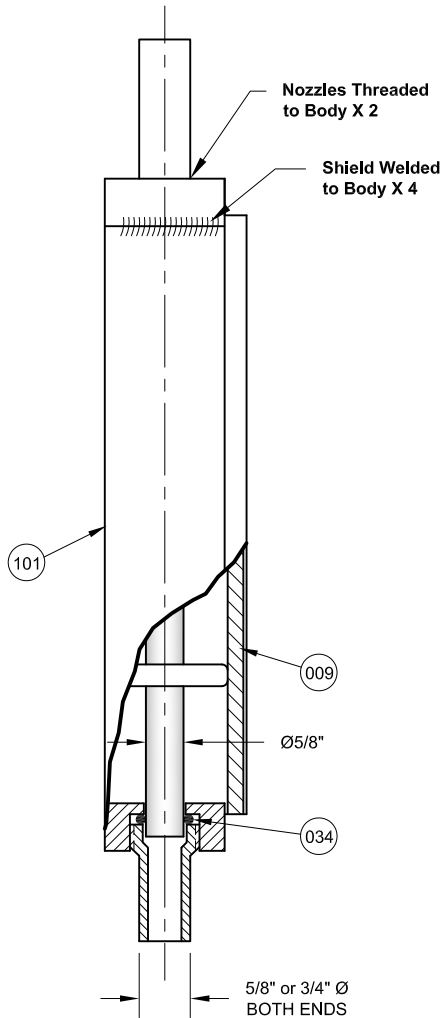
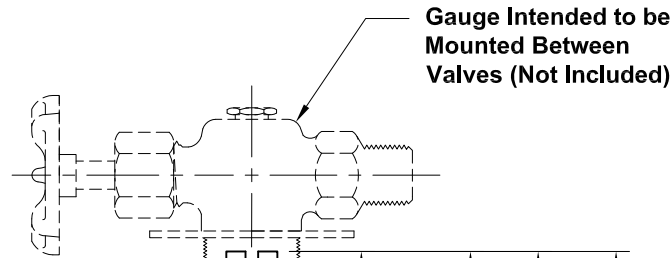
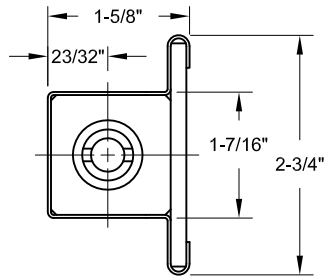


REVISIONS			
Rev.	Modification	Date	Done By
A	Updated	12/16/2020	NPH



BILL OF MATERIALS			
No.	Name of Part	Qty.	Material
011	Body	2	Zinc Pl. Steel OR 316SS
012	Tailpipe	2	Zinc Pl. Steel OR 316SS
034	O-Ring	2	Viton® / PTFE (Teflon®) / Buna-N / EPDM
048	Sight Glass	Var.	Borosilicate / FEP / PVC / Lexan®
009	Shield	1	Lexan® (Inquire for Scale Printing)
101	3 Sided Frame		Zinc Pl. Steel OR 304SS
131	Bumper Ring	Var.	Buna-N

- Notes:**
- Rated for **FULL** Vacuum Service
 - Due to Glass Seating, Gauge **Cannot** be Flipped for Desired Orientation. Please Inquire for Orientation Requirements
 - Addition of Splicers Reduces Visibility ~1" Per Splicer
 - Please Inquire for Steam Applications

J14E Series Configuration Choices:
Reference the Series J14E Model Number Matrix on our Website or Inquire with our Sales Team

JOHN C ERNST LLC.		www.JOHNERNST.com 21 Gail Ct. Sparta, N.J. USA	
Series J14E Shielded Level Gauge - 5/8" OD Glass 5/8" & 3/4" OD Nozzle Connections			
Sheet: 1 of 1	Drawn By: WAS	Tolerances, unless otherwise noted Dec.: ± Frac.: ± Ang.: ±	
Scale: NTS	Approved By: JCW	Size: A	
Dim.: Inches	Date: 30-MAY-17	Dwg. No.: SC2.0J14E.00.0.0	Rev.: A

Lexan® is a Registered Trademark of General Electric, Co. USA
Teflon® & Viton® are Registered Trademarks of The Chemours Company