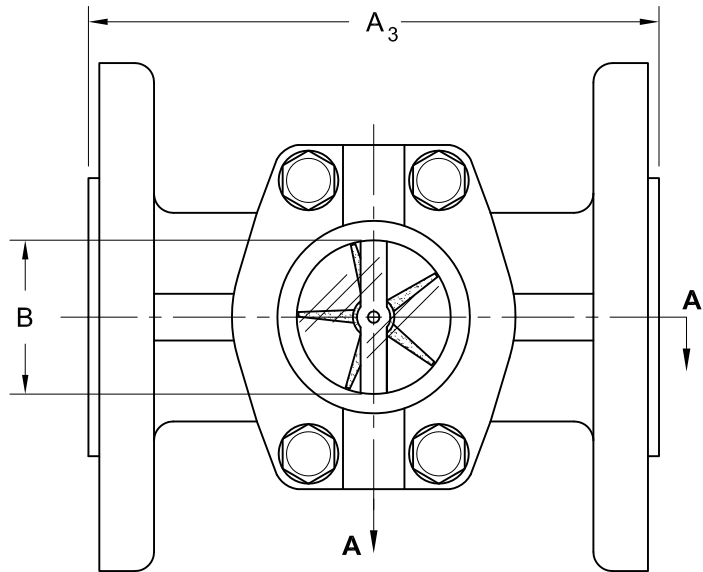


REVISIONS			
Rev.	Modification	Date	Done By

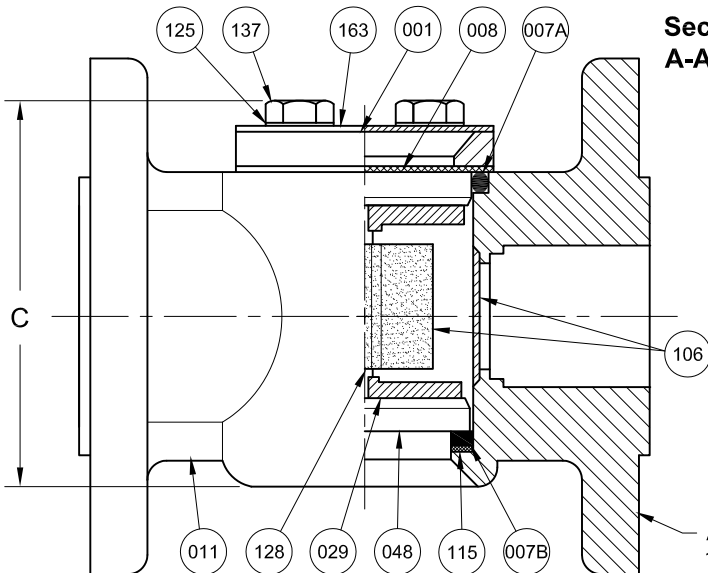


Flow Direction

Sec. A-A

ASME CL. 150 Service Press./Temp. Ratings ₂		
Temp. (°F)	Pressure (PSIG)	
	CS	316SS
-20 to 100	285	275
150	270	255
200	260	235
250	245	225
300	230	215
350	215	205
400	200	195

*Consult Sales for Alt. Ratings



ASME B16.5
150# RF

BILL OF MATERIALS						
* - Denotes an Optional, Non-Standard Material						
No.	Name of Part	Qty.	Material	Max. Temp. (°F)	Material Grade/Notes	
011	Body	1	Carbon Steel		ASTM A216-WCB	
			316SS		ASTM A351-CF8M	
007A 007B	Gasket	2	Viton®	400		
			*Neoprene	250		
			*EPDM	250		
			*PTFE	400		
			*Kalrez®	400		
			*Buna-N	212		
029	Bridge	2	316LSS			
048	Lens	2	Tempered Borosilicate			
106	Rotor / Deflector	1	Ryton® / 316SS	400	Brown	
128	Pin	1	316SS			
Non- Wetted	001	Retainer	1	Plated Steel		
	008	Cushion	1	Non-Asbestos Fiber		
	009	Outer Shield (Opt.)	1	Polycarbonate	200	(Not Pictured)
	115	Spacer	1	PTFE	400	
	125	Washers	4	Plated Steel		
137	Studs	4	Plated Steel			
163	Nameplate	1	Aluminum			

PRODUCT SPECIFICATIONS									
Flange Size	A		B		C		Weight		Vacuum ₁
	In.	mm.	In.	mm.	In.	mm.	lbs.	kg.	PSIG
1-1/2	6-1/2	165.1	2	50.8	4-1/2	114.3	11.1	5.03	-12.6
2	7	177.8	2	50.8	4-1/2	114.3	14.9	6.76	-12.6
2 ₃	7-7/8	200.0	2	50.8	4-1/2	114.3	15.2	6.89	-12.6

Notes:

1. Vacuum Service Rating: 85.5% of Full Vacuum / 25.6" of Hg. / 2.1 PSIA
2. Limited to Glass, Gasket, & Indicator Ratings
3. Request Extended OAL Unit for 7-7/8" OAL

S13F Series Configuration Choices:

Reference the Series S13F Model Number Matrix on our Website or Inquire with our Sales Team

Kalrez® is a Registered Trademark of E.I. DuPont de Nemours Co. Inc.
Ryton® is a Registered Trademark of Solvay Specialty Polymers.
Viton® is a Registered Trademark of the Chemours Company

JOHN C ERNST LLC.

www.johnernst.com
21 Gall Ct. Sparta, N.J. USA

Series S13F High Pressure Rotor SFIs 1-1/2" - 2" Flanged

Sheet: 1 of 1	Drawn By: WAS	Tolerances, unless otherwise noted Dec.: ± Frac.: ± Ang.: ±	Size: A
Scale: NTS	Approved By: JCW		Rev.: --
Dim.: Var.	Date: 11-JAN-17	Dwg. No.: SC2.0S13F.02.1.0	