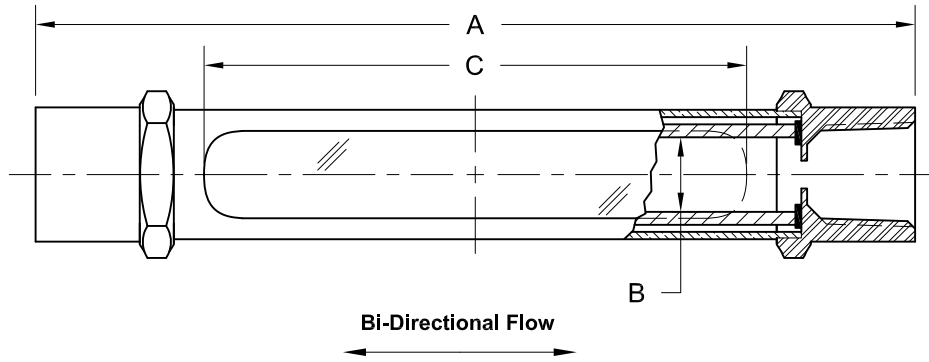
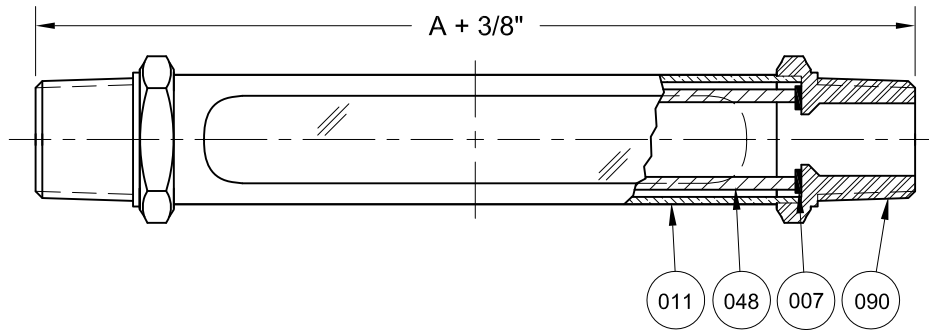


REVISIONS			
Rev.	Modification	Date	Done By

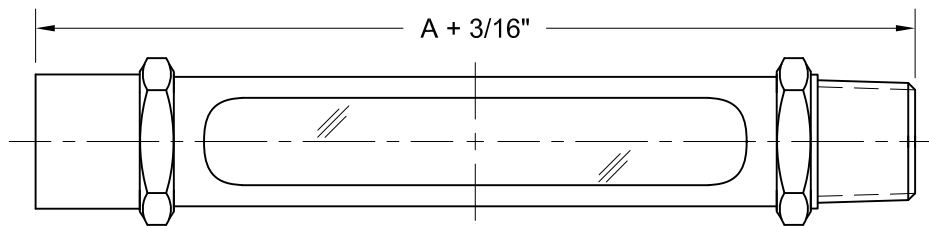
**Type 1
Female-Female**



**Type 2
Male-Male**



**Type 3
Male-Female**



BILL OF MATERIALS

* - Denotes an Optional, Non-Standard Material

No.	Name of Part	Qty.	Material	Max. Temp. (°F)	Material Grade/Notes
011	Body	1	Brass		
007	Gasket	2	Neoprene	250	
			*PTFE	250	
			*EPDM	250	
			*Viton®	250	Fluoroelastomer
048	Lens	2	Borosilicate		
090	End Caps	2	Brass		

Rating: 100 PSIG @ 250°F

PRODUCT SPECIFICATIONS

NPT Size ₁	A		B		C		Weight	
	In.	mm.	In.	mm.	In.	mm.	lbs.	kg.
1/8	2-7/16	62	7/16	11	1-3/16	30	1/4	0.1
1/4	3	76	7/16	11	1-3/16	30	1/4	0.1
3/8	3	76	7/16	11	1-3/16	30	1/4	0.1
1/2	4-1/2	114	7/16	11	2-1/4	57	3/8	0.2
3/4	4-1/2	114	5/8	16	2	51	1/2	0.2
1	5	127	3/4	19	2-3/8	60	3/4	0.3
1-1/4	5-1/4	133	1	25	2-3/8	60	1-1/2	0.7
1-1/2	5-1/2	140	1-1/4	32	2-3/8	60	2	0.9

Notes:

- Sizes 1/8" - 1/2" are **Single Window**; 3/4" - 1-1/2" are **Double Window**

S22B Series Configuration Choices:

Reference the Series S22B Model Number Matrix on our Website or Inquire with our Sales Team

Viton® is a Registered Trademark of the Chemours Company

JOHN C ERNST LLC.

www.JOHNERNST.com
21 Gail Ct. Sparta, N.J. USA

Series S22B Shielded Tubular Sight Flow Indicator

Sheet: 1 of 1	Drawn By: WAS	Tolerances, unless otherwise noted Dec.: ± Frac.: ± Ang.: ±	Size: A
Scale: NTS	Approved By: JCW		Dim.: Var.
Dwg. No.: SC2.0S22B.00.0.0		Rev.: --	