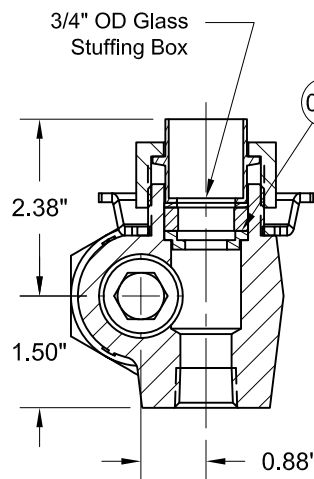


Centers



BILL OF MATERIALS

* - Denotes an Optional, Non-Standard Material

No.	Name of Part	Qty.	Material	Max. Temp. (°F)	Material Grade / Notes
010	Upper Body	1	Carbon Steel		A105
011	Lower Body	1	Carbon Steel		A105
012	Tailpipe	2	Low Temp Carbon Steel		A350 GR.LF2
014	Ball Check Retainer	2	316SS		
015	Ball Check	2	440SS		
016	Stem Seat	2	416SS		
017	Stem	2	Low Temp Carbon Steel		A350 GR.LF2
018	Stem Packing Ring	2	Low Temp Carbon Steel		
020	Sleeve	2	Low Temp Carbon Steel		A350 GR.LF2
025	Stem Packing	8	Graphite/NICR		
034	Glass Packing	2	Buna-N	250	
			*EPDM	280	
			*PTFE	425	Soft-Woven
035	Lower Glass Ring	1	Low Temp Carbon Steel		A350 GR.LF2
35A	Upper Glass Ring	1	Low Temp Carbon Steel		A350 GR.LF2
013	Tailpipe Nut	2	Low Temp Carbon Steel		A350 GR.LF2
019	Stem Packing Gland	2	Low Temp Carbon Steel		A350 GR.LF2
021	Sleeve Nut	2	Low Temp Carbon Steel		A350 GR.LF2
026	Stem Packing Nut	2	Carbon Steel		A563
028	Hand Wheel	2	Carbon Steel		
033	Glass Rod Holder	2	Carbon Steel		
34A	Glass Packing Washer	2	PTFE	425	
036	Glass Packing Gland	2	Low Temp Carbon Steel		A350 GR.LF2
037	Glass Packing Nut	2	Low Temp Carbon Steel		A350 GR.LF2
100	Handwheel Nut	2	Carbon Steel		A563
163	Name Plate	1	304SS		

Wetted
Non-Wetted

PRODUCT SPECIFICATIONS

Connection Size	"A" Dim	From Vessel Centers		
		Glass Length	Rod Length	Visible Length
1/2" NPT	3.688"	-1.375"	-2.125"	-4.625"
3/4" NPT	3.688"			
1" NPT	4.125"			

Notes:

- Available in 1/2" 3/4" & 1" NPT Vessel Connection
- Maximum Temperature is Determined by Glass Packing Material
- Maximum Pressure is Determined by Glass Length
- Saturated Steam Rating: 600 WSP

PRESSURE/TEMPERATURE RATINGS*

*Limited to Gasket & Glass Length

Temp. (°F)	Pressure (PSIG)
100	4000
200	3615
300	3231
400	2846
500	2462
600	2077
700	1693
800	1308

T16 Series Configuration Choices:

Reference the Series T16 Model Number Matrix on our Website or Inquire with our Sales Team

REVISIONS

Rev.	Modification	Date	Done By

This Drawing and the Subject Matter Disclosed Therein is the Property of John C Ernst LLC. It is Not to be Copied, Used, Appropriated or Disclosed to Others Without the Expressed Permission of John C Ernst LLC.



www.johnernst.com • 21 Gail Ct Sparta NJ USA

Series T16-432 Carbon Steel Renewable Seat Offset Tubular Valves

Sheet: 1 of 1	Drawn By: NPH	Tolerances, unless otherwise noted Dec.: ± Frac.: ±1/16 Ang.: ±	Size: A
Scale: NTS	Approved By: JCW		Dwg. No.: SC2.0T16.01.0.0
Dim.: Var.	Date: 01-DEC-22		