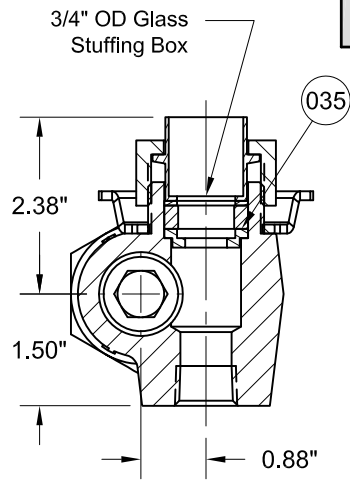


Centers



BILL OF MATERIALS

* - Denotes an Optional, Non-Standard Material

No.	Name of Part	Qty.	Material	Max. Temp. (°F)	Material Grade / Notes
010	Upper Body	1	316SS/316LSS		A182 Gr.F316/F316L
011	Lower Body	1	316SS/316LSS		A182 Gr.F316/F316L
012	Tailpipe	2	316SS/316LSS		
014	Ball Check Retainer	2	316SS		
015	Ball Check	2	316SS		QQ-5-763
016	Stem Seat	2	316SS/316LSS		A479
017	Stem	2	316SS/316LSS		A479
018	Stem Packing Ring	2	316SS/316LSS		A479
020	Sleeve	2	316SS/316LSS		
025	Stem Packing	8	Graphite/NICR		
034	Glass Packing	2	PTFE	425	Soft-Woven
			*Buna-N	250	
			*EPDM	280	
035	Lower Glass Ring	1	316SS/316LSS		
35A	Upper Glass Ring	1	316SS/316LSS		
013	Tailpipe Nut	2	Low Temp Carbon Steel		A350 GR.LF2
019	Stem Packing Gland	2	Low Temp Carbon Steel		A350 GR.LF2
021	Sleeve Nut	2	Low Temp Carbon Steel		A350 GR.LF2
026	Stem Packing Nut	2	Carbon Steel		A563
028	Hand Wheel	2	Carbon Steel		
033	Glass Rod Holder	2	Carbon Steel		
34A	Glass Packing Washer	2	PTFE	425	
036	Glass Packing Gland	2	Low Temp Carbon Steel		A350 GR.LF2
037	Glass Packing Nut	2	Low Temp Carbon Steel		A350 GR.LF2
100	Handwheel Nut	2	Carbon Steel		A563
163	Name Plate	1	304SS		

Wetted
Non-Wetted

PRODUCT SPECIFICATIONS

Connection Size	"A" Dim	From Vessel Centers		
		Glass Length	Rod Length	Visible Length
1/2" NPT	3.688"	-1.375"	-2.125"	-4.625"
3/4" NPT	3.688"			
1" NPT	4.125"			

Notes:

- Available in 1/2" 3/4" & 1" NPT Vessel Connection
- Maximum Temperature is Determined by Glass Packing Material
- Maximum Pressure is Determined by Glass Length
- Saturated Steam Rating: 600 WSP

PRESSURE/TEMPERATURE RATINGS*

*Limited to Gasket & Glass Length

Temp. (°F)	Pressure (PSIG)
100	4000
200	3615
300	3231
400	2846
500	2462
600	2077
700	1693
800	1308

T16 Series Configuration Choices:

Reference the Series T16 Model Number Matrix on our Website or Inquire with our Sales Team

REVISIONS

Rev.	Modification	Date	Done By

This Drawing and the Subject Matter Disclosed Therein is the Property of John C Ernst LLC. It is Not to be Copied, Used, Appropriated or Disclosed to Others Without the Expressed Permission of John C Ernst LLC.



www.johnernst.com • 21 Gail Ct Sparta NJ USA

Series T16-433 316SS Renewable Seat Offset Tubular Valves

Sheet: 1 of 1	Drawn By: NPH	Tolerances, unless otherwise noted Dec.: ± Frac.: ±1/16 Ang.: ±	Size: A
Scale: NTS	Approved By: JCW		Dwg. No.: SC2.0T16.01.0.1
Dim.: Var.	Date: 01-DEC-22		