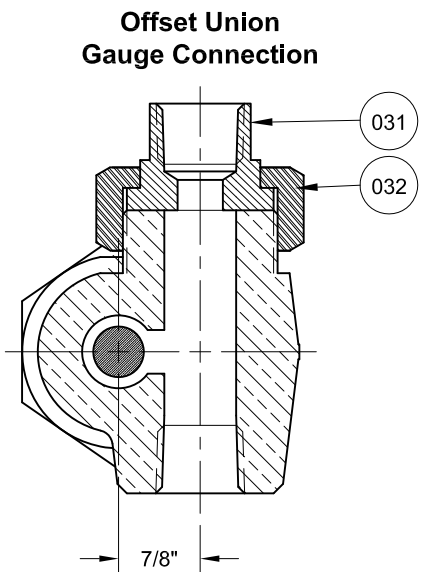
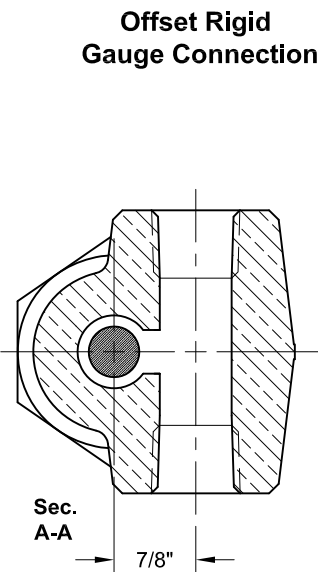
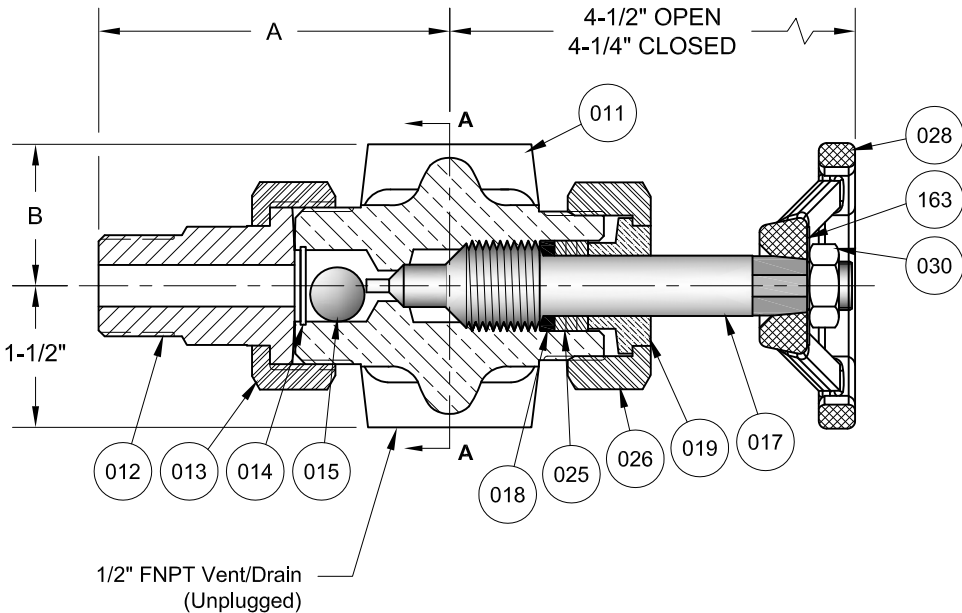


REVISIONS			
Rev.	Modification	Date	Done By



## CARBON STEEL BODIES 2 Valves / Set

### PRODUCT SPECIFICATIONS

Vessel Conn. <sub>1</sub> (MNPT)	Gauge Conn. <sub>1</sub> Type	Gauge Conn. <sub>1</sub> (FNPT)	Pressure Ratings (PSIG) <sub>2</sub>	A Dimension		B Dimension		
				In.	mm.	In.	mm.	
1/2"	Rigid	1/2"	<b>Steam</b> Not Recommended	3-11/16	94	1-1/2	38	
3/4"				3-11/16	94	1-1/2	38	
1"				4-1/8	105	1-1/2	38	
1/2"	Union			<b>Non-Steam</b> 2400 @ 100°F 1323 @ 800°F	3-11/16	94	2-11/16	68
3/4"					3-11/16	94	2-11/16	68
1"					4-1/8	105	2-11/16	68

### BILL OF MATERIALS

Item No.	Name of Part	Qty.	Material	Material Grade / Notes
011	Valve Body	1	Carbon Steel	ASTM A105
012	Tailpipe	1	Carbon Steel	ASTM A108
014	Ball Check Retainer	1	316SS	
015	Ball Check	1	440SS	
017	Stem	1	416SS	QQ-S-763
018	Stem Packing Retainer	1	Carbon Steel	ASTM A108
025	Stem Packing	3	Graphite	
031	Gauge Tailpipe	1	Carbon Steel	ASTM A108 (Union Opt. Only)
013	Vessel Union Nut	1	Carbon Steel	ASTM A108
019	Stem Packing Gland	1	Carbon Steel	ASTM A108
026	Stem Packing Nut	1	Carbon Steel	ASTM A108
028	Handwheel	1	Carbon Steel	
030	Handwheel Nut	1	Carbon Steel	ASTM A563
032	Gauge Union Nut	1	Carbon Steel	ASTM A108 (Union Opt. Only)
163	Tag	1	304SS	

### V11B Series Configuration Choices:

Reference the Series V11B Model Number Matrix on our Website or Inquire with our Sales Team

### KEY NOTES:

- Please Inquire for Other Gauge & Vessel Connection Sizes & Types
- Limited to Gauge Pressure Rating

## JOHN C ERNST LLC.

www.JOHNERNST.com  
21 Gail Ct. Sparta, N.J. USA

Series V11B Style 450 High Pressure Offset Valves - Carbon Steel

Sheet: 1 of 1	Drawn By: TWW	Tolerances, unless otherwise noted Dec.: ±    Frac.: ±    Ang.: ±	Size: A
Scale: NTS	Approved By: GEW		
Dim.: Var.	Date: 21-JUL-17	Dwg. No.: SC2.0V11B.00.0.0	Rev.: --