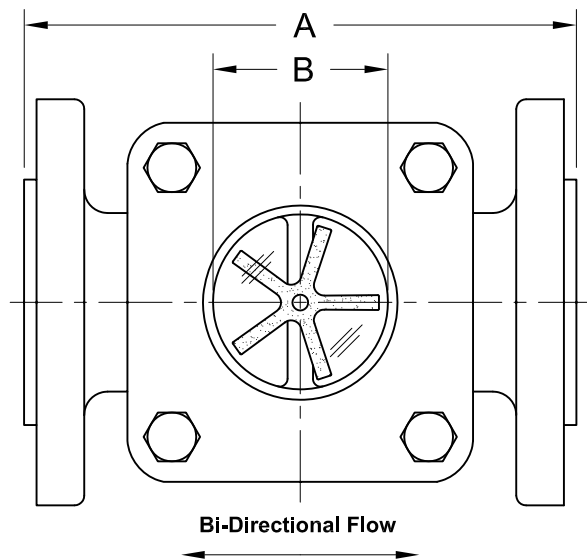


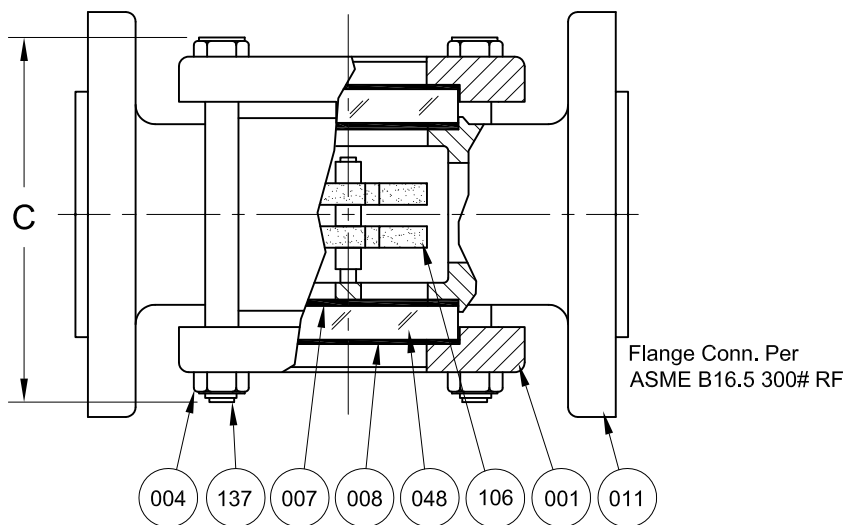
REVISIONS			
Rev.	Modification	Date	Done By
A	Updated Materials	10/10/2022	NPH



ASME Class 300 Service Press./Temp. Ratings *Limited to Gasket & Glass Material		
Temp. (°F)	Pressure (PSIG)	
	CS	316SS
-20 to 100	740	720
150	710	670
200	680	620
250	665	590
300	655	560
350	645	535
400	635	515
450	620	495
500	605	480

*Consult Sales for Higher & Lower Temps.

BILL OF MATERIALS						
* - Denotes an Optional, Non-Standard Material						
No.	Name of Part	Qty.	Material	Max. Temp. (°F)	Material Grade	
Wetted	011	1	Electro-Galvanized Zinc Plated Carbon Steel		ASTM A216 WCB	
			316SS		ASTM A351 CF8M	
	007	2	Neoprene	250		
			Gylon®	500	Gylon® 3545	
			*EPDM	250		
			*Viton®	350		
			*Graphite	500		
			*Non Asbestos	500		
			*Buna-N	250		
	048	Lens	2	Tempered Boro.	500	
106	Rotor Assembly	1	PTFE	500		
Non-Wetted	008	Cushion	2	Non-Asbestos	500	
	001	2	Electro-Galvanized Zinc Plated Carbon Steel		ASTM A516 Gr.70	
			*316SS		ASTM A240	
	137	Var.	Yellow Zinc Plated Steel		ASTM A354-BD	
			*316SS		ASTM A193-B8M-CL2	
	004	Var.	Yellow Zinc Plated Steel		ASTM A194-2H	
*316SS				ASTM A194-8M		
163	Name Plate	1	304SS		Not Pictured (Wired to Unit)	



PRODUCT SPECIFICATIONS											
Flange Size	A		B		C ₂		Weight		# of Bolts	Max. Flow Velocity	
	In.	mm.	In.	mm.	In.	mm.	lbs.	kg.		ft/s	m/s
1/2 & 3/4	5-7/8	149	1	25	5-1/4	133	9-1/2	4.3	4	10	3
1	6-7/8	175	1-1/4	32	5-1/4	133	17	7.7	4	10	3
1-1/2	7-1/2	191	2	51	7-3/8	187	24	10.9	4	10	3
2	8-5/8	219	2	51	7-5/8	194	35	15.9	4	10	3
2-1/2 & 3	11-3/8	289	3-3/16	81	10-5/8	270	64	29.0	4	10	3
4	13-1/4	337	4-1/4	108	13	330	135	61.2	4	10	3
6	21-3/8	543	5-1/2	140	17-1/8	435	250	113.4	12	6	1.8
8	23	584	5-1/2	140	19	483	335	152.0	12	6	1.8

Notes:

1. Fused & Dual Glass Options are also Available
2. Standard Bolt Length for "C" Dimension (±1/8")
3. Carbon Steel & 316SS Bodies Conform to NACE MR0175 for Wetted NACE Service

S16FB Series Configuration Choices:

Reference the Series S16FB Model Number Matrix on our Website or Inquire with our Sales Team

Gylon® is a Registered Trademark of Garlock Sealing Technologies
Viton® is a Registered Trademark of The Chemours Company

JOHN C ERNST LLC.		www.JOHNERNST.com 21 Gail Ct. Sparta, N.J. USA	
Series S16FB Sight Flow Indicator - Rotor 300# Flanged			
Sheet: 1 of 1	Drawn By: WAS	Tolerances, unless otherwise noted Dec.: ± Frac.: ± Ang.: ±	Size: A
Scale: NTS	Approved By GEW		
Dim.: Var.	Date: 27-JAN-17	Dwg. No.: SC2.S16FB.01.0.0	Rev.: A